

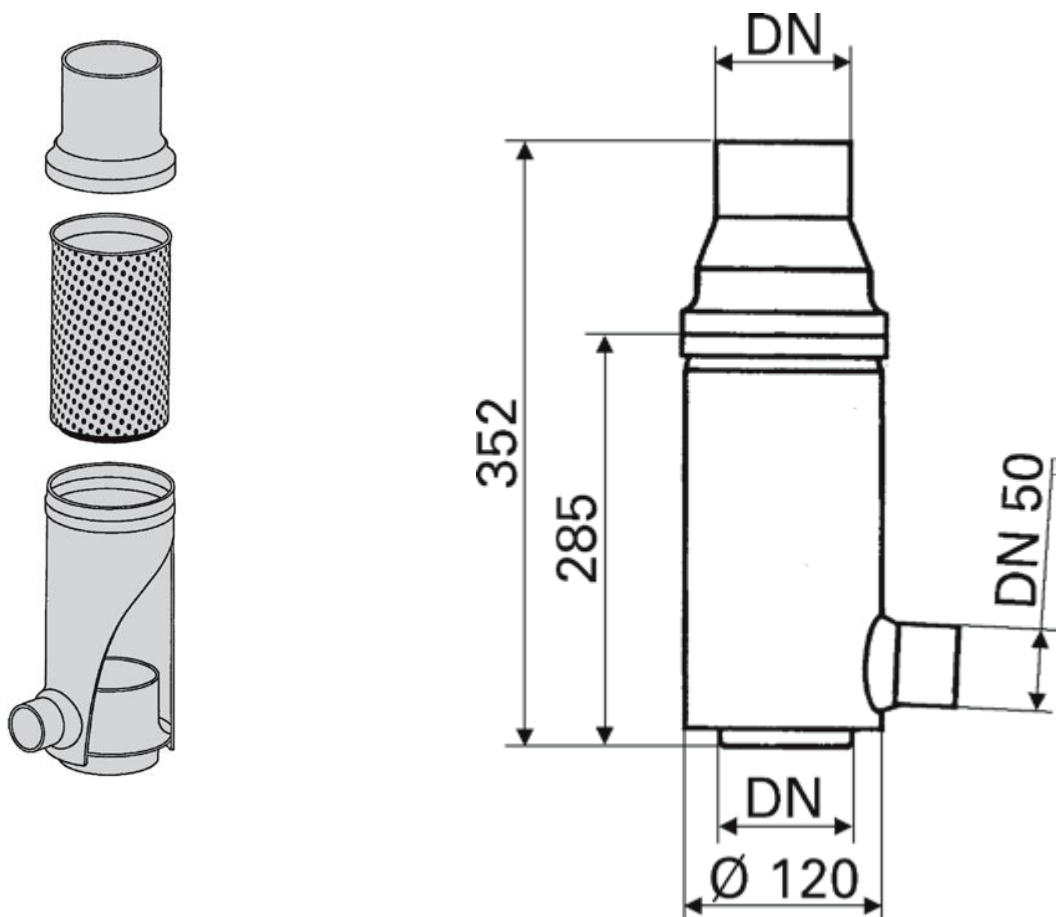
## **Stainless Steel Vortex Filter for Above Ground Tank Systems**



- Suitable for roof areas up to 200m<sup>2</sup>
- Compact design with 0.28mm filtration. (0.44mm also available)
- Full cross-section of the downpipe is maintained right through the filter. Zero restriction of drainage flow
- Stainless steel construction
- Simple to fit and maintain
- Easily cleaned
- High efficiency, high reliability
- Available to fit most common UK and EU round pipe sizes

This stainless steel filter collector is designed for simple and easy installation in standard round section rainwater downpipes. The filter is installed by removing a section of downpipe. Once fitted the filter can collect over 95% of the water passing through it. With no obstruction or narrowing of the downpipe, the unique design of the filter maintains a full flow of water through the downpipe. This is particularly important during periods of heavy rainfall. Even in such demanding weather conditions, the filter will harvest 50% or more of the rainwater flowing through the downpipe. Debris and excess water is piped in the conventional manner to the surface water drain or soakaway. Downpipe filters are particularly suitable where water is to be stored in above ground tanks. In order to maintain efficiency, the filter insert requires simple cleaning at regular intervals.

## Specification



## About Halsted Rain

Halsted Rain is a supplier of urban rainwater harvesting and waste water recycling. We offer a range of modular tanks, filters, pumps and mains top up units designed for above ground and low profile belowground systems that offer simple and affordable solutions when space and access is restricted, or ground conditions are poor. Our products are ideally suited for residential and light commercial property particularly as a retrofit solution.

For further information and local stockists:

Direct Line: 07900 427450 Switchboard: 0208 318 0957 [www.halstedrain.com](http://www.halstedrain.com)  
Halsted Rain Ltd Halsted House Lock Chase Blackheath London SE3 9HB